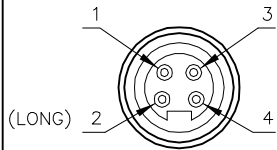


MALE END VIEW

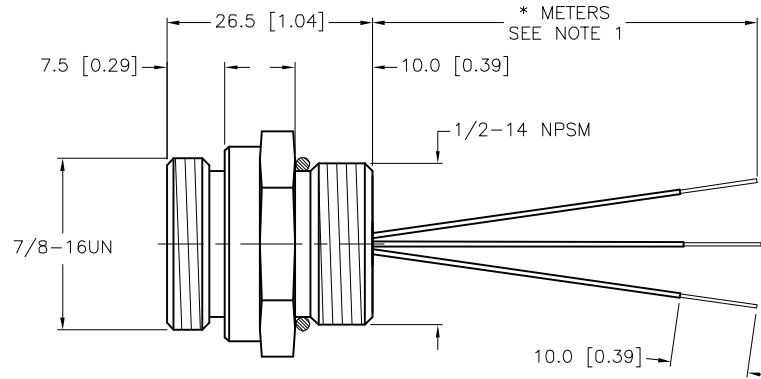
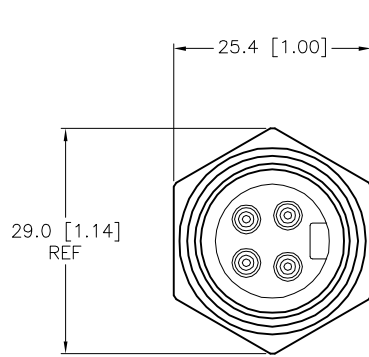


- 1 = BROWN (+ PA)
- 2 = N/C
- 3 = BLUE (- PA)
- 4 = GRAY



SPECIFICATIONS

CONTACT CARRIER MATERIAL	TPU
HOUSING MATERIAL/FINISH	STAINLESS STEEL/PASSIVATED
CONTACT MATERIAL/PLATING	BRASS/GOLD
O-RING MATERIAL	BUNA-N (NITRILE)
RATED CURRENT [A]	9.0 A
RATED VOLTAGE [V]	600 V
CONDUCTOR INSULATION MATERIAL	PVC
NUMBER OF CONDUCTORS [AWG]	3x18 AWG
TEMPERATURE RATING	-40°C to +105°C (-40°F to +221°F)
PROTECTION CLASS	NEMA 1,3,4,4X,6P,12 & IECIP67,IP68,IP69,IP69K



CABLE LENGTH	TOLERANCE *
ALL LENGTHS	+ 4% (OR 50mm) OF LENGTH - 0% (OR 0mm) OF LENGTH WHICHEVER IS GREATER
STRIP LENGTH	TOLERANCE *
0-7mm	±0.5mm
8-29mm	±1.0mm
30-49mm	±2.0mm
50-69mm	±3.0mm
70-100mm	±4.0mm
OVER 100mm	±5.0mm

* UNLESS OTHERWISE SPECIFIED

SOURCE DRAWING - FOR REFERENCE ONLY

NOTES:

1. "*" INDICATES LEAD LENGTH IN METERS. CONTACT TURCK TO ORDER SPECIFIC LENGTHS.

RELATED DOCUMENTS 1. 2. 3. 4.	3RD ANGLE PROJECTION 	THIS DRAWING IS CONFIDENTIAL AND THE PROPERTY OF TURCK INC. USE OF THIS DOCUMENT WITHOUT WRITTEN PERMISSION IS PROHIBITED.		<p>3000 CAMPUS DRIVE MINNEAPOLIS, MN 55441 1-800-544-7769 (763) 553-7300 (763) 553-0708 fax www.turck.us</p>
		DRFT RDS	DATE 09/30/10	
MATERIAL	ALL DIMENSIONS DISPLAYED ON THIS DRAWING ARE FOR REFERENCE ONLY	APVD	SCALE 1=1	IDENTIFICATION NO.
FINISH		UNIT OF MEASUREMENT MILLIMETER [INCH]		
E UPDATE PROTECTION CLASS	CBM 04/13/21	76628	DO NOT SCALE THIS DRAWING	
REV DESCRIPTION	BY DATE	ECO NO.	FILE: 777026784	SHEET 1 OF 1